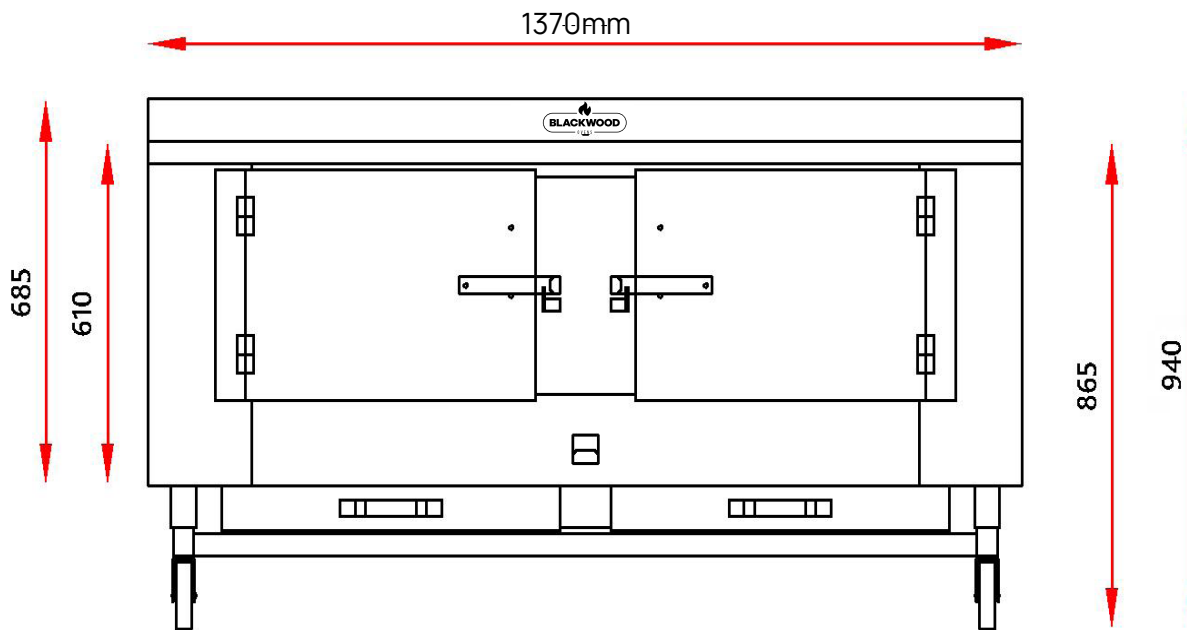


## HICKORY GRILL 1730

Cook over flame with the blackwood hickory wood burning grill, mix and match different types of woods and charcoal for authentic grilling flavours. This style of cooking is not confined to just meats. Fire your imagination with grilling fish/seafood, vegetables. The list is endless.



### DIMENSIONS

- Width- Overall: 1370mm
- Depth- Overall: 740mm
- Height - With legs: 940mm back / 865mm front
- Height - Without legs: 685mm back / 610mm front
- Cooking surface: 702cm<sup>2</sup> / 0.70m<sup>2</sup>
- Number of fuel grates: 3
- Size of fuel grates: 575 x 410mm
- Exterior body construction: 14 ga. Stainless Steel
- Standard finish: Stainless Steel
- CFMS required: 2175
- Shipping weight: 400kgs

### FEATURES

- Fully insulated stainless steel firebox generates high temperatures for that all important sizzle.
- Simple front loading door for easy access to add fuel, with a pull out ash drawer for removal of debris
- Heavy duty 100 mm castors for ease of cleaning
- Heavy duty cast iron cooking grids
- CE Approved