

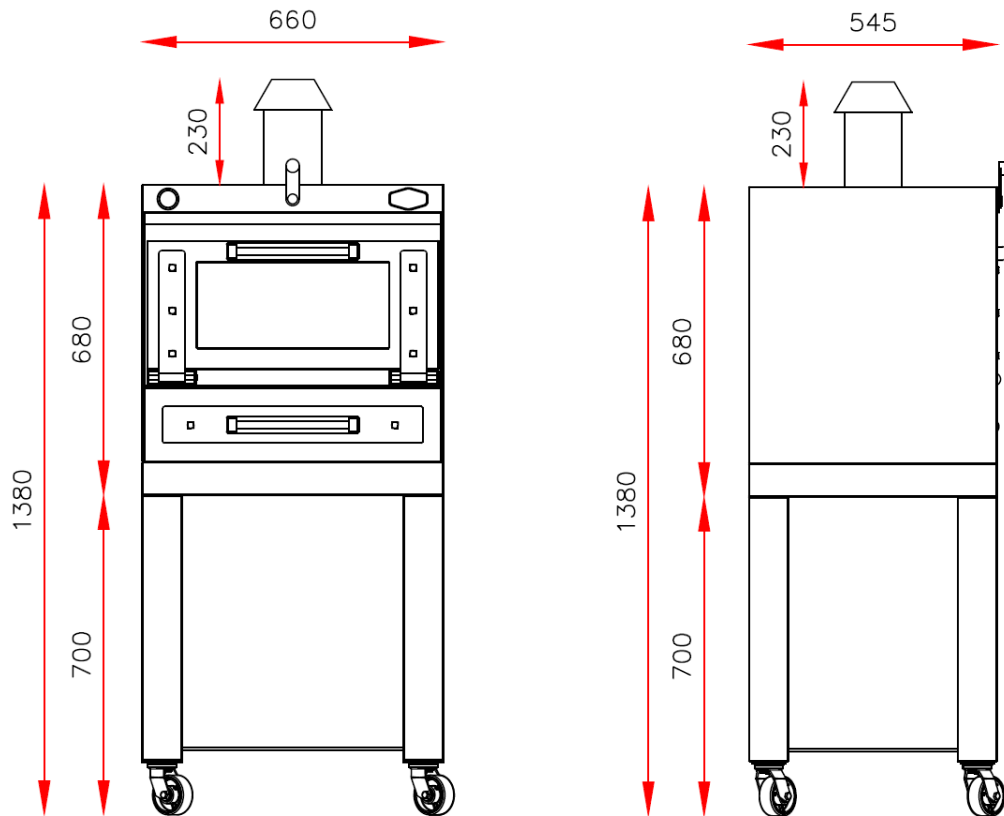


BLACKWOOD

OVENS

BUDDY CHARCOAL OVEN

High temperature cooking, seals the meat and ensures your food is juicy and moist, retaining the meats nutrients and goodness creating an intense flavour. Super fast and super tasty, cooks juicy steaks and moist chicken in under 4 minutes.



FEATURES

- Stainless/mild steel - Fully welded with heat retaining fire bricks.
- Reinforced mild steel door complete with hinges.
- Stainless steel handle insulated with a heat resistant sleeve.
- 500°C analogue thermometer.
- Adjustable air regulator.
- 6 Shelf height adjustment.
- 2 shelves.

DIMENSIONS

- Width - Overall: 660mm
- Depth - Overall: 545mm
Height
With legs: 700mm
- Cooking surface: 3657sq
- Weight: 250kgs

CAPACITY & COOKING TIMES

Rib -Eye Steak: 15 x 12oz / 22 x 8oz - Med Rare: 2mins 30s | Medium: 3mins 15s

Fillet Steak: 15 x 12oz / 22 x 8oz - Med Rare: 2mins 15secs | Medium: 3mins

Chicken Breast: 30 x 8oz - 4 minutes